

THIS DRAWING IS UNPUBLISHED.

RELEASED FOR PUBLICATION

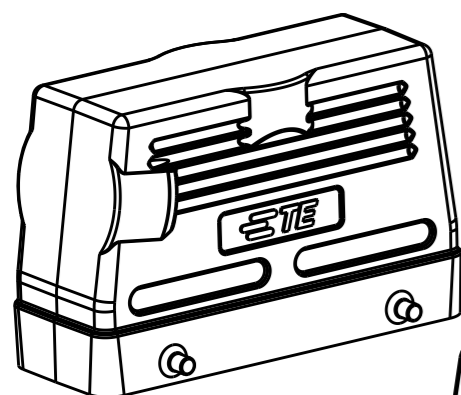
20

© COPYRIGHT 20 BY -

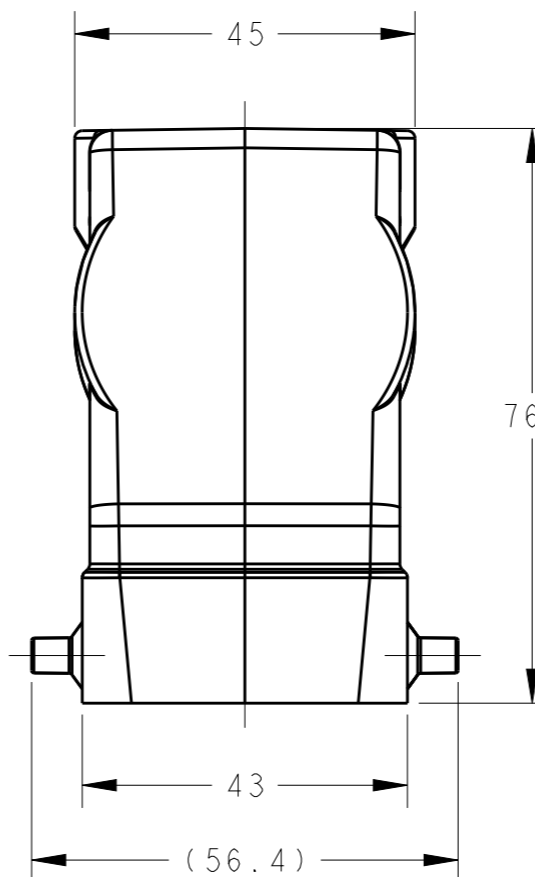
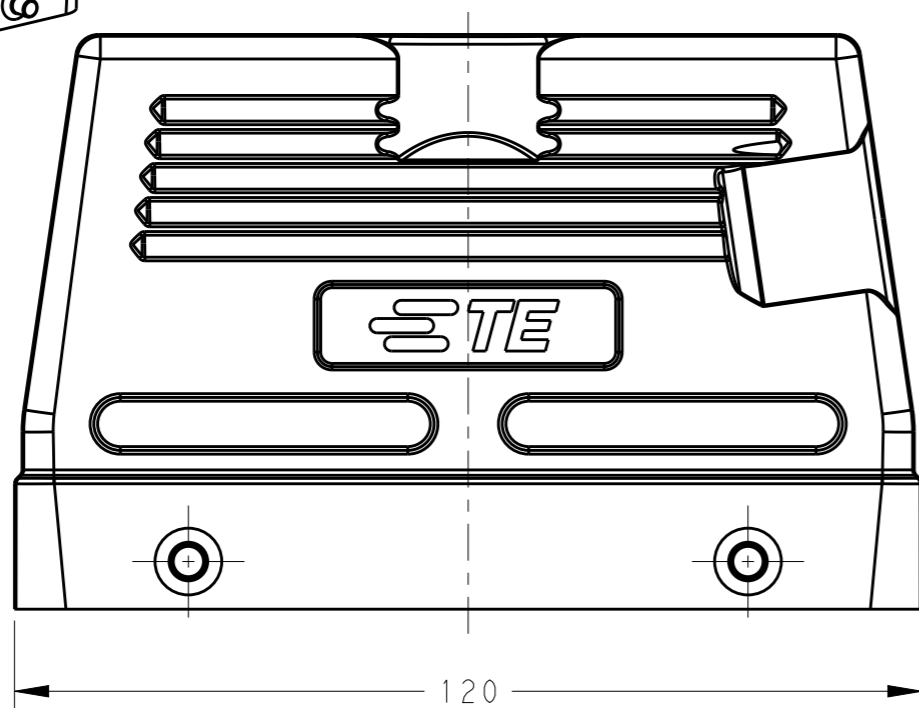
ALL RIGHTS RESERVED.

REVISIONS

P	LTR	DESCRIPTION	DATE	DWN	APVD
	A	INITIAL	21JUL2015	DW	CW



SCALE 1:2

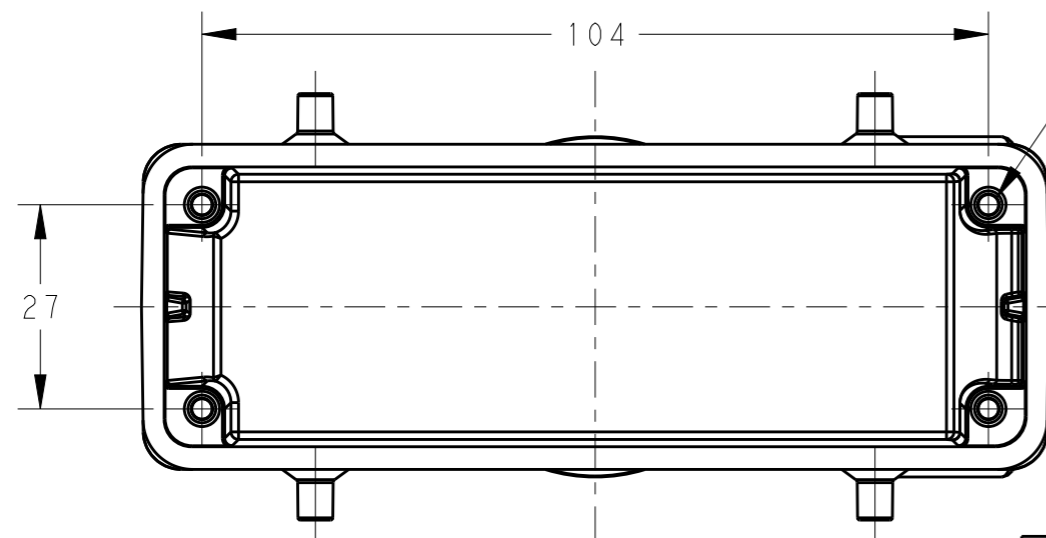


NOTES:


- 1. TECHNICAL CHARACTERISTICS:
 HOOD MATERIAL: DIE CAST ALUMINIUM ALLOY
 SURFACE: POWDER COATED, GREY
 OPERATION TEMPERATURE: -40-+125°C
 DEGREE OF PROTECTION: IP65 (MATED)

注释:

- 1. 技术参数:
 上壳材料: 铝合金
 表面处理: 粉末涂层, 灰色
 工作温度: -40-+125°C
 防护等级: IP65(配合)



T1240240000-000	H24B-TGH	HIGH CONSTRUCTION
PART NUMBER	DESCRIPTION	TYPE

THIS DRAWING IS A CONTROLLED DOCUMENT.		DWN 21JUL2015 David Wang	 TE Connectivity			
DIMENSIONS: mm		CHK 21JUL2015 Chris Wang			NAME H24B-TGH	
TOLERANCES UNLESS OTHERWISE SPECIFIED:		APVD 21JUL2015 Xiang Xu				
0 PLC ±- 1 PLC ±- 2 PLC ±- 3 PLC ±- 4 PLC ±- ANGLES ±-		PRODUCT SPEC 108-137013				
MATERIAL	FINISH	APPLICATION SPEC 114-137013	SIZE A3	CAGE CODE 00779	DRAWING NO T1240240000000	RESTRICTED TO -
-	-	WEIGHT -	SCALE 1:1		SHEET 1 OF 1	REV A
Customer Drawing						